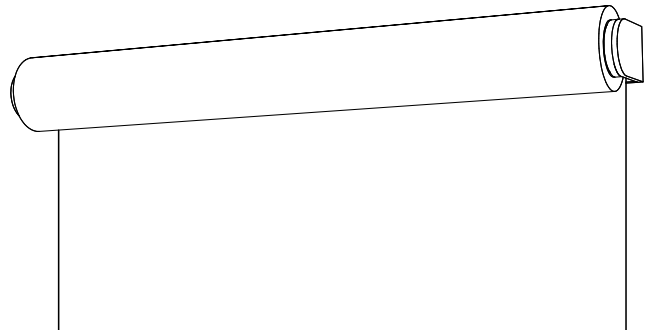


Palladiom Wire-Free Shading System

The Lutron Palladiom wire-free shading system is ideal for exposed applications. These shades are mounted using solid aluminum brackets in a variety of finishes to complement any design, and utilize a completely wire-free, ultra-quiet drive powered by readily available D-cell alkaline batteries. Palladiom wire-free shades can be installed virtually anywhere, providing privacy and light control at the touch of a button.



Features

- Industry-leading battery performance (battery life details are available in the shade ordering tool)
- Featuring Active Energy Optimization, a battery management architecture designed to extend the lifetime of traditional alkaline batteries
- The Electronic Drive Unit (EDU) maintains consistent shade speed throughout the battery life cycle by dynamically monitoring battery voltage output
- Integrated wireless control using ClearConnect Type A RF technology
- Wireless control range: 30 ft (9 m)
- Operating voltage: 4.5–9.0 V==
- Single shades available in:
 - Widths from 21 in (53.34 cm) to 12 ft (3.66 m)
 - Heights from 12 in (30.48 cm) to 12 ft (3.66 m)
- Symmetrical light gaps, as small as 0.75 in (19 mm)
NOTE: At high aspect ratio (tall and narrow) shade sizes, Lutron may apply a fabric deduction, which increases the size of the light gaps to compensate for the increased probability of telescoping
- Shades move in unison, maintaining alignment within 0.125 in (3 mm) at all times
- Sound: 35 dBA measured 3 ft (0.91 m) from the EDU
- Bottom bar speed: 3.6 in/sec (91.4 mm/sec)
- Solid aluminum shade brackets with concealed fasteners, available in a variety of finishes
- Ideally paired with the Palladiom bottom rail, available in select matching finishes
- Available with a wide variety of fabric types, including sheer, translucent, and room darkening fabrics

Compatible Controls

- Pico wireless control
- 4-Group RF shade remote control
- Caséta Pro
- RA2 Select
- RadioRA 3
- HomeWorks systems with QSX processors

Environment

- Temperature: 32° F to 104° F (0° C to 40° C)
- For indoor use only
- Relative humidity: <90% non-condensing

Regulatory

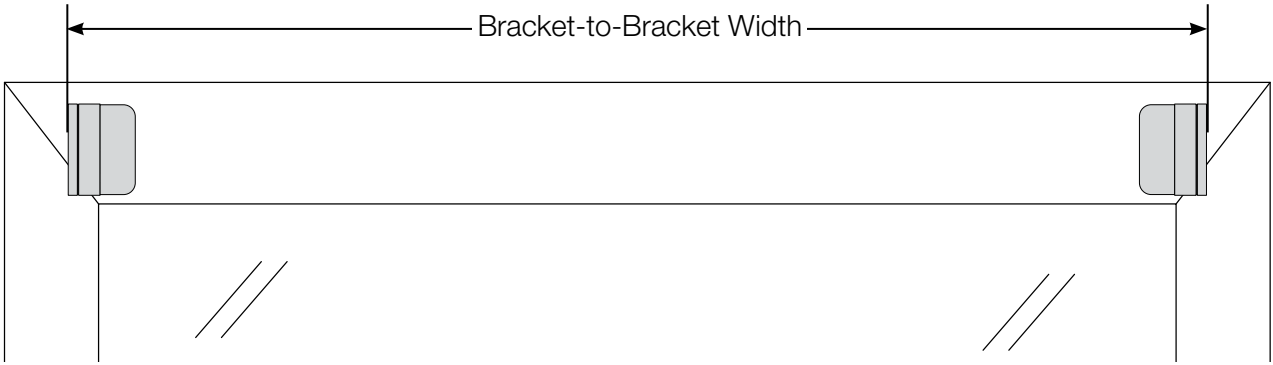
- cULus listed (E135084)
- FCC (USA)
- IC (Canada)

IMPORTANT: Palladiom wire-free shades are unsuitable for mounting in a pocket or recess, and some other possible applications due to clearance required for installation and removal of the shade itself as well as its batteries. Please refer to **Battery Access Clearance**, later in this document.

All Palladiom shades must be mounted to blocking or other suitable structural material. It is the responsibility of the installer to choose and install fasteners that are appropriate for the mounting surface such that each shade bracket can support **400 lbs (181 kg)**.

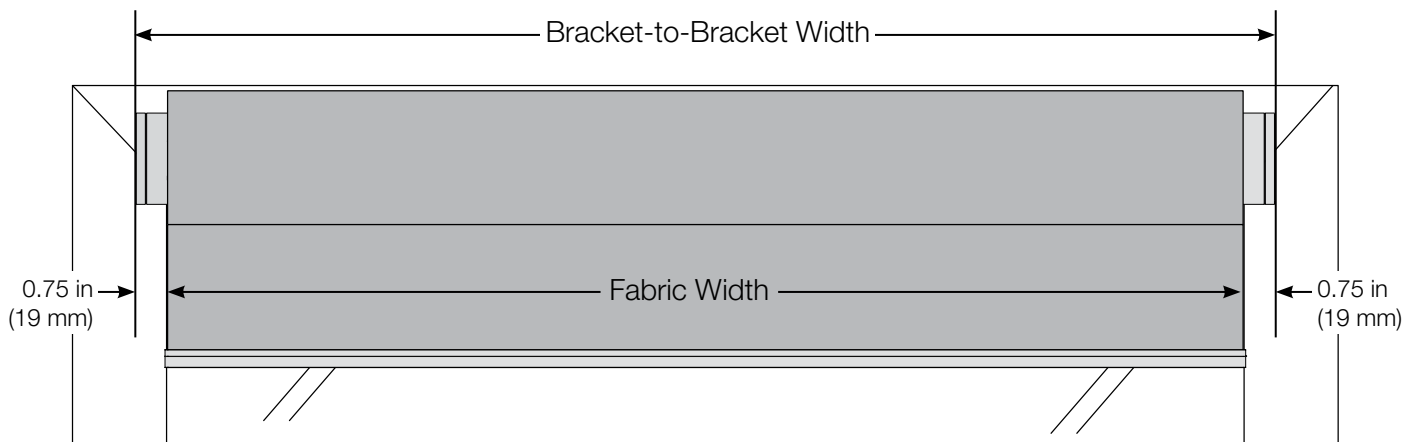
Job Name:	Model Numbers:
Job Number:	

Dimensions



Installed Shade

Wall Mount (outside mount)



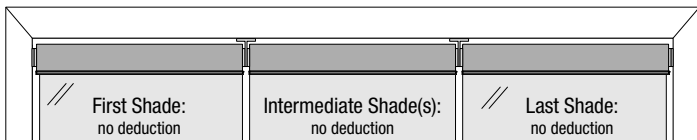
Measurements & Deductions

No Bracket-to-Bracket Width Deductions

The Palladiom wire-free shading system requires no bracket-to-bracket width deductions.

NOTE: Fabric width deductions may apply to some shades. Please refer to the following section: **Fabric Deductions.**

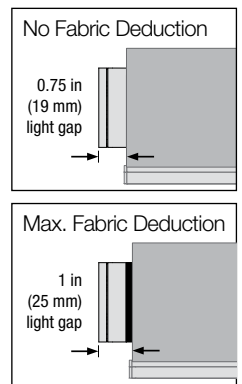
- The idler offers 0.375 in (10 mm) of compliance, compressed 0.25 in (6 mm) at the nominal bracket-to-bracket width
- Outside-mount shades: no deduction
- Inside-mount single and multi-shade systems: no deduction



Example: Inside-mount multi-shade system

Fabric Deductions

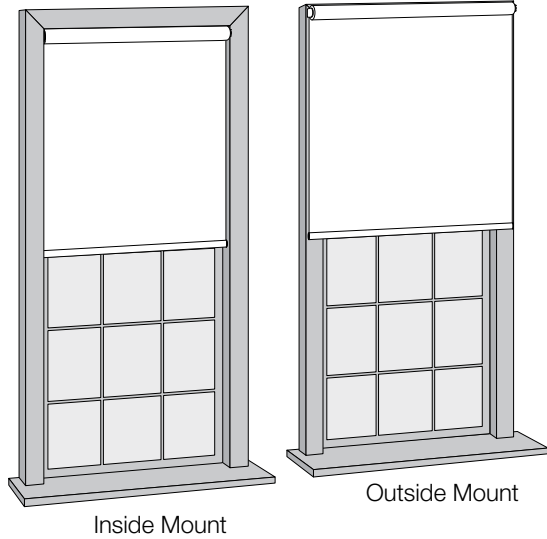
- Lutron may apply fabric deductions to high aspect ratio (tall, narrow) shades
 - Maximum fabric deduction of 0.25 in (6 mm) per side, resulting in a light gap of 1 in (25 mm) per side
 - Fabric deduction does not reveal a bare shade tube; Palladiom wire-free shades feature a black bearing sleeve that can be seen between the finished bracket and the fabric roll



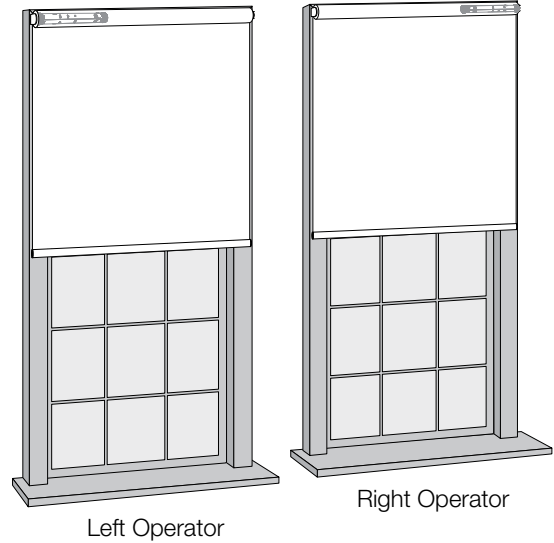
Job Name:	Model Numbers:
Job Number:	

Shade Options

Mounting Options

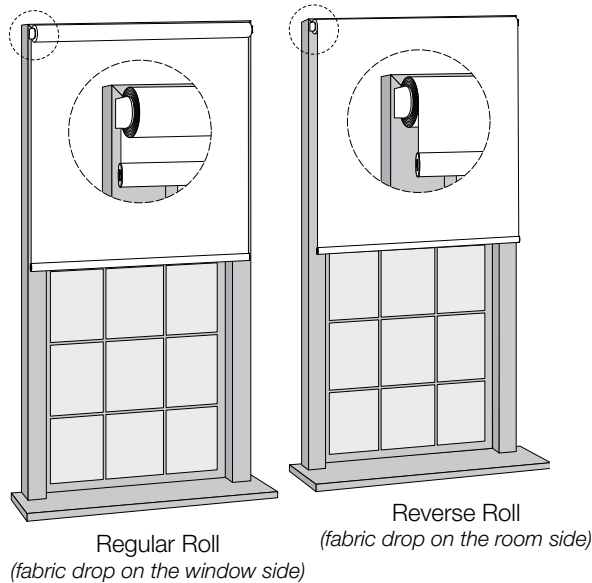


Operator Side Options



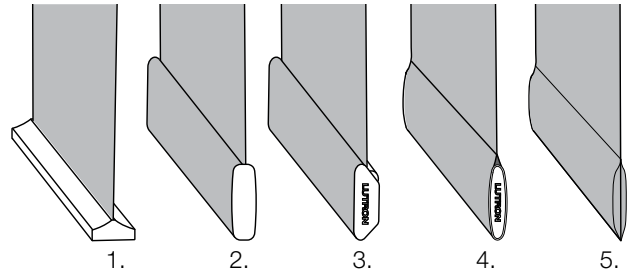
In some installations, operator side choice may be related to battery access clearance. Please refer to **Battery Access Clearance**, later in this document.

Fabric Drop Options



NOTE: Reverse roll is recommended for dual-sided fabric, otherwise the shade roll will be a different color than the hanging fabric.

Bottom Bar Options



1. Palladiom bottom rail*
2. Half-Wrap Architectural bottom bar with metal endcaps**
3. Half-Wrap Architectural bottom bar with plastic endcaps
4. Designer
5. Sealed; available sizes:
 - 3/16 x 1 in (5 x 25 mm)
 - 7/16 x 1-3/8 (11 x 35 mm)

* Finishes available:

- Pure White
- Clear Anodized
- Black Anodized
- Satin Nickel

** Finishes available:

- Pure White
- Clear Anodized
- Black Anodized
- Satin Nickel
- Brass
- Satin Graphite
- Opal White

NOTE: The bottom bar may be ordered in different finish than brackets. For more information about finishes, colors, and other design options, please visit: lutron.com/en-US/Products/Pages/ShadingSystems/PalladiomShades/DesignOptions.aspx

Job Name:	Model Numbers:
Job Number:	

Battery Power

The Palladiom wire-free shading system is powered by readily available D-Cell, 1.5 V, alkaline batteries (not included).

Install new D-cell, 1.5 V, alkaline batteries. Do not mix brands or types.

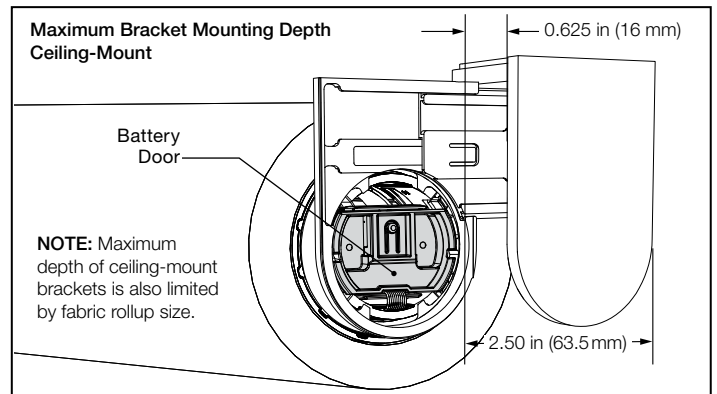
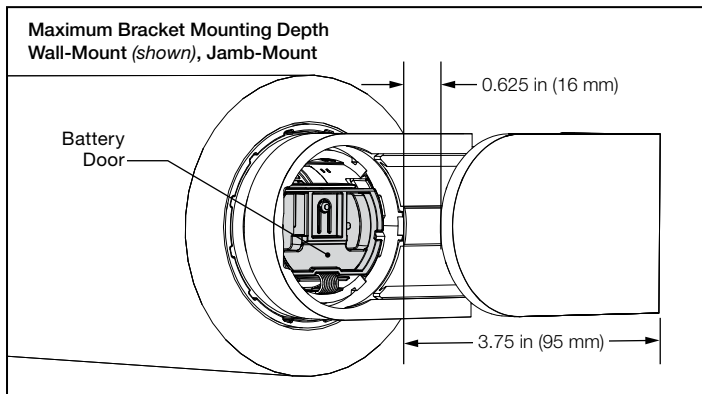
Lutron recommends Duracell® or RAYOVAC® batteries. The battery sleeve indicates correct orientation.

Battery life varies with shade size, fabric weight, and daily usage patterns. Estimated battery life will be calculated in the shade ordering tool based on size and fabric selections.

IMPORTANT: Battery Access Clearance

The clearances shown below are required for unrestricted battery installation and change access. Please refer to the following page for additional examples of application-specific clearance requirements and restrictions.

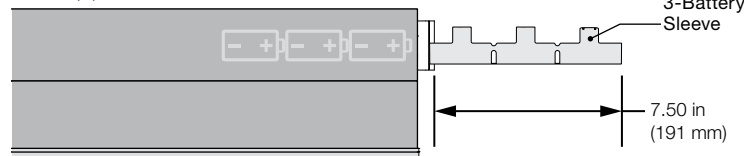
Bracket Mounting Depth: Access to the battery compartment relies on the “slide-out” feature of Operator brackets. This limits the mounting depth of shade brackets to 0.625 in (16 mm) from the front of the bracket, as shown.*



Battery Sleeve Removal/Insertion: Batteries are housed in a sleeve that fits inside the EDU. Removal and insertion of the sleeve requires clearance to end walls and other window-adjacent objects or structures.*

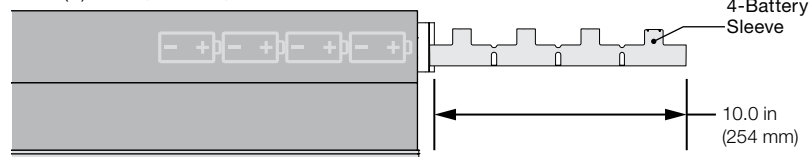
Shade widths 21 in – 24 in (53.3 cm – 61.0 cm):

Three (3) 1.5 V, D-cell, alkaline batteries



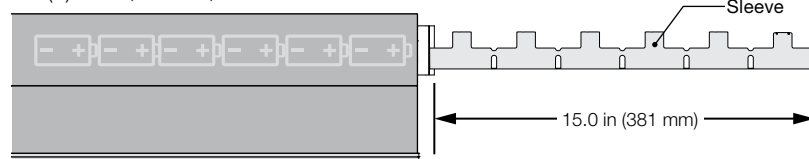
Shade widths 24-1/8 in – 31 in (61.3 cm – 78.7 cm):

Four (4) 1.5 V, D-cell, alkaline batteries



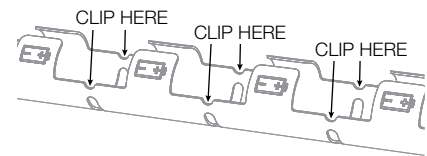
Shade widths 31-1/8 in – 144 in (79.1 cm – 365.8 cm):

Six (6) 1.5 V, D-cell, alkaline batteries

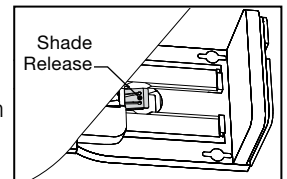


* **Close-quarters Installations:** When the installation location does not allow the battery access shown above and/or battery sleeve clearances shown at left, the following methods may be used.

1. *Battery sleeve clearance of 3 in (76 mm) or more is available:* Clip the sleeve at the narrow connecting points shown to add flexibility and allow battery insertion one-by-one.



2. *Battery sleeve clearance is less than 3 in (76 mm), and/or bracket mounting depth disallows battery access:* Extend the Operator bracket, then press the shade release to remove the shade from the brackets for battery installation or removal.



LUTRON SPECIFICATION SUBMITTAL

Page

Job Name:	Model Numbers:
Job Number:	

Application-Specific Installation Notes:

On-Door and Above-Door Mounting

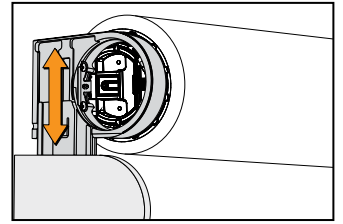
Palladiom Wire-Free Shades ordered for door applications utilize a operator bracket with vertical bracket slide ring movement to prevent inadvertent extension and improve mounting stability.

On a Hinged Door:

- Prevents inadvertent extension of the bracket slide ring due to door movement.
- Provides increased stability during battery changes.

Above the Door:

- Prevents inadvertent extension of the bracket slide ring should passage through the door be attempted while the shade is lowered.
- Provides increased mounting stability if the event the shade is manually pulled or pushed aside to access the door. (It is recommended that the shade is always fully raised before the door is used for passage.)

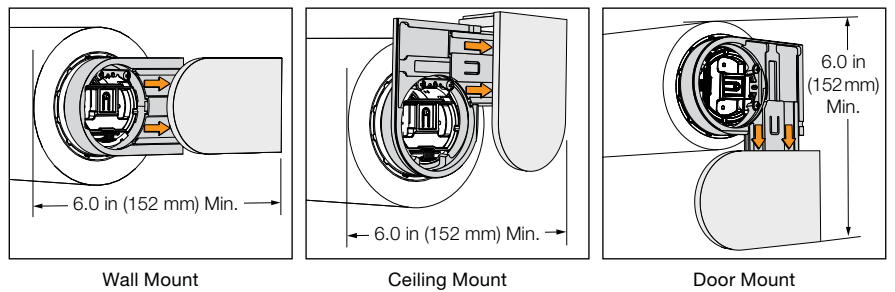


The Slide Ring of a Ceiling/Door bracket in door-mount orientation moves vertically

For more information about Palladiom Wire-Free Shades and door applications, please see [Application Note #802](#)

Pocket or Recess Mounting

Palladiom Wire-Free Shades are not recommended for mounting in a pocket or recess. Even when battery access clearance is intentionally sacrificed, in all cases proper installation of the shade in the brackets (and removal from the brackets), requires a minimum 6 in (150 mm) clearance on the room side of the brackets (or above the shade in door applications).

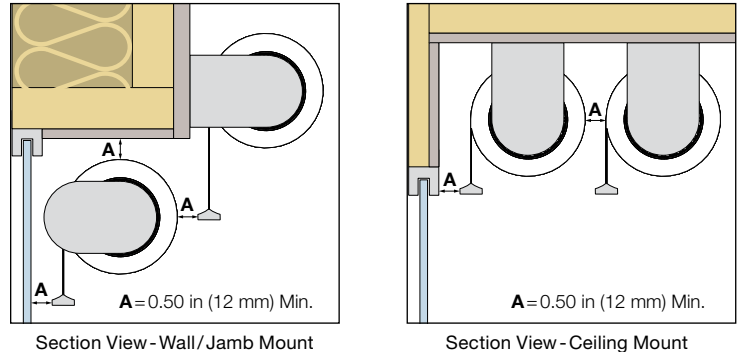


Dual Mounting

Due to the clearances required for installation, removal, and battery access, Palladiom Wire-Free Shades dual mounting applications are limited. Typical examples shown.

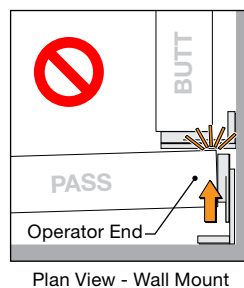
Be certain to plan the installation in accordance with all the clearance requirements noted in this document.

Some configurations will require removal of one or both shades from the brackets for battery change.

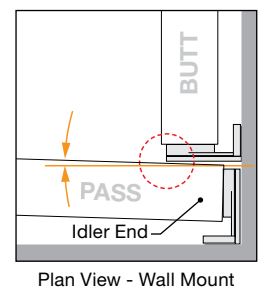


Corner Mounting ('Butt and Pass')

When planning to corner-mount Palladiom Wire-Free Shades in a butt-and-pass arrangement, configure the shades so that their idler brackets are in the corner. This will prevent the operator bracket of the pass shade from becoming "trapped" in the corner without sufficient clearance for slide ring extension.



IMPORTANT: Plan to allow at least 1/4 in (6 mm) clearance between the pass shade fabric roll and the butt shade bracket. This is required because there is some movement at the idler end of the fabric roll when the operator bracket slide ring is extended. The exact amount of clearance needed to prevent fabric-bracket contact varies with shade size.



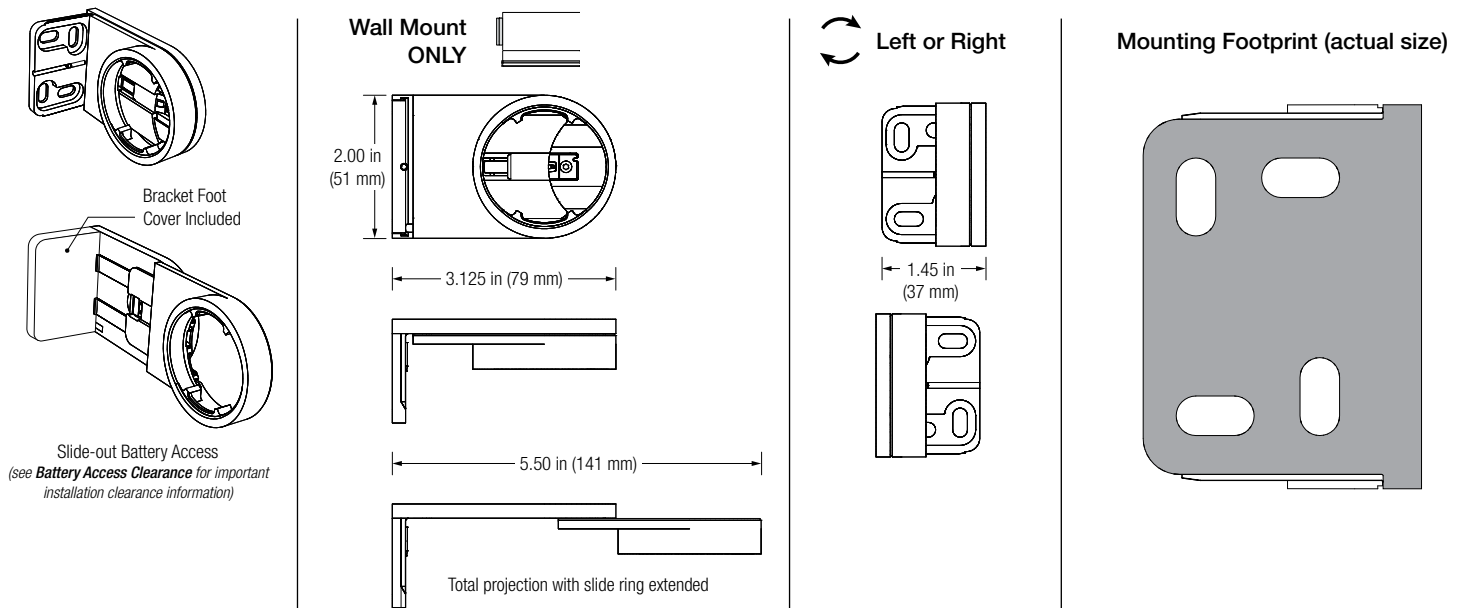
Job Name:	Model Numbers:
Job Number:	

Mounting Options: End Brackets

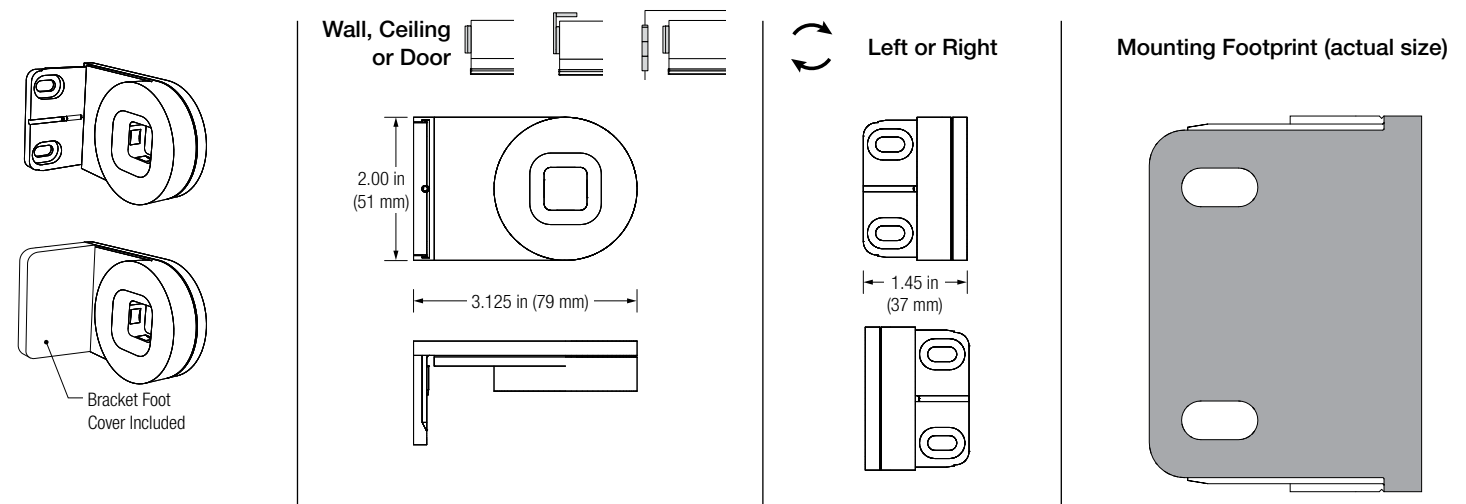
Palladiom wire-free shading system mounting brackets are made from solid aluminum and are available in 7 standard finishes (see the section titled **Bracket Finish Guide** later in this document)

- Brackets may be ordered in different finish than the bottom bar
- Shims (1 included with each bracket) are 1/16 in (1.6 mm) thick and can be used to increase projection (wall), or level the shade (ceiling). Shims are also available separately. *(It is recommended that no more than two (2) shims be used when mounting any one bracket.)*
- Each bracket includes a Bracket Foot Cover

Operator End Bracket for Wall Mount, **WIN-BRK-EWD-FINISH CODE**



Idler End Bracket for Wall, Ceiling, or Door Mount, **WIN-BRK-EWCI-FINISH CODE**



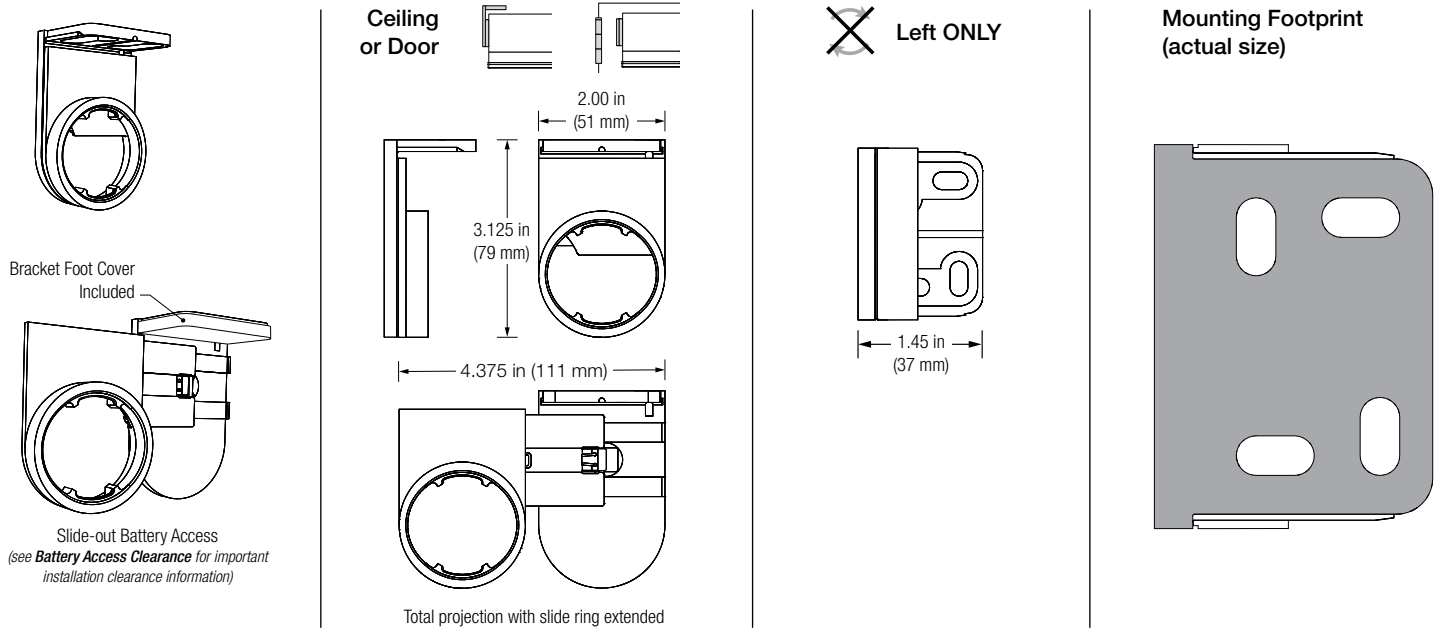
Job Name:	Model Numbers:
Job Number:	

Mounting Options: End Brackets

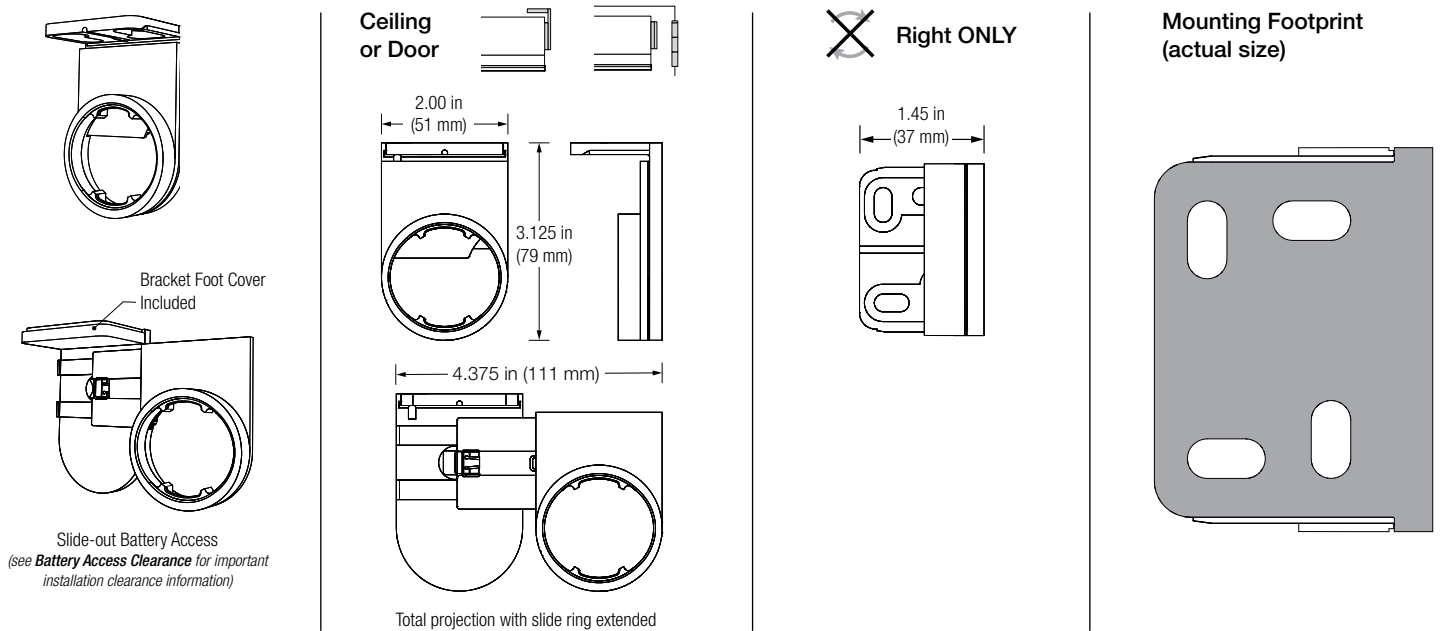
Palladiom wire-free shading system mounting brackets are made from solid aluminum and are available in 7 standard finishes (see the section titled **Bracket Finish Guide** later in this document)

- Brackets may be ordered in different finish than the bottom bar
- Shims (1 included with each bracket) are 1/16 in (1.6 mm) thick and can be used to increase projection (door), or level the shade (ceiling). Shims are also available separately. *(It is recommended that no more than two (2) shims be used when mounting any one bracket.)*
- Each bracket includes a Bracket Foot Cover

LEFT Operator End Bracket for Ceiling or Door Mount, **WIN-BRK-ECDL-FINISH CODE**



RIGHT Operator End Bracket for Ceiling or Door Mount, **WIN-BRK-ECDR-FINISH CODE**



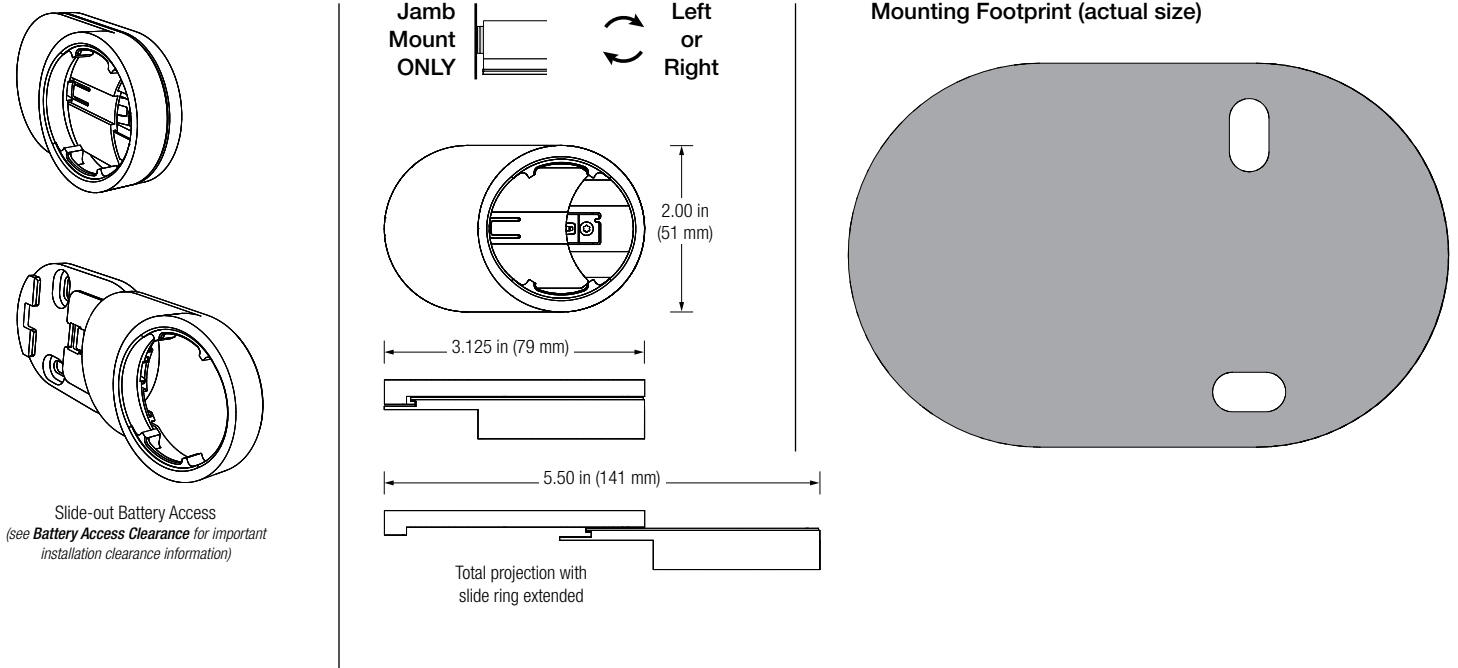
Job Name:	Model Numbers:
Job Number:	

Mounting Options: Jamb-Mount End Brackets

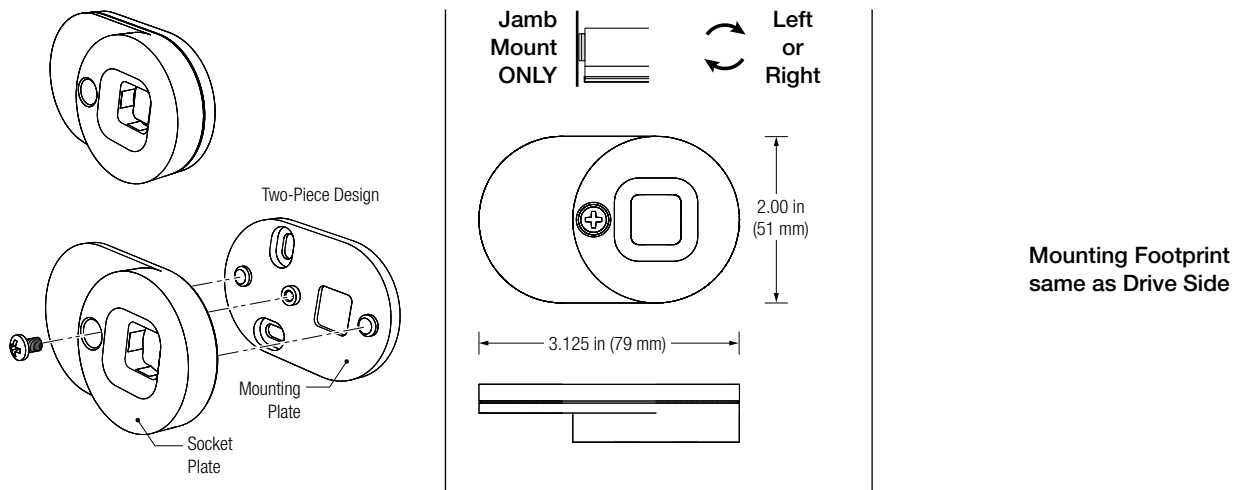
Palladiom wire-free shading system mounting brackets are made from solid aluminum and are available in 7 standard finishes (see the section titled **Bracket Finish Guide** later in this document)

- Brackets may be ordered in different finish than the bottom bar
- Shims (1 included with each bracket) are 1/16 in (1.6 mm) thick and can be used to adjust bracket-to-bracket distance. Shims are also available separately. *(It is recommended that no more than two (2) shims be used when mounting any one bracket.)*

Operator End Bracket for Jamb Mount, **WIN-BRK-JD-FINISH CODE**



Idler End Bracket for Jamb Mount, **WIN-BRK-JI-FINISH CODE**



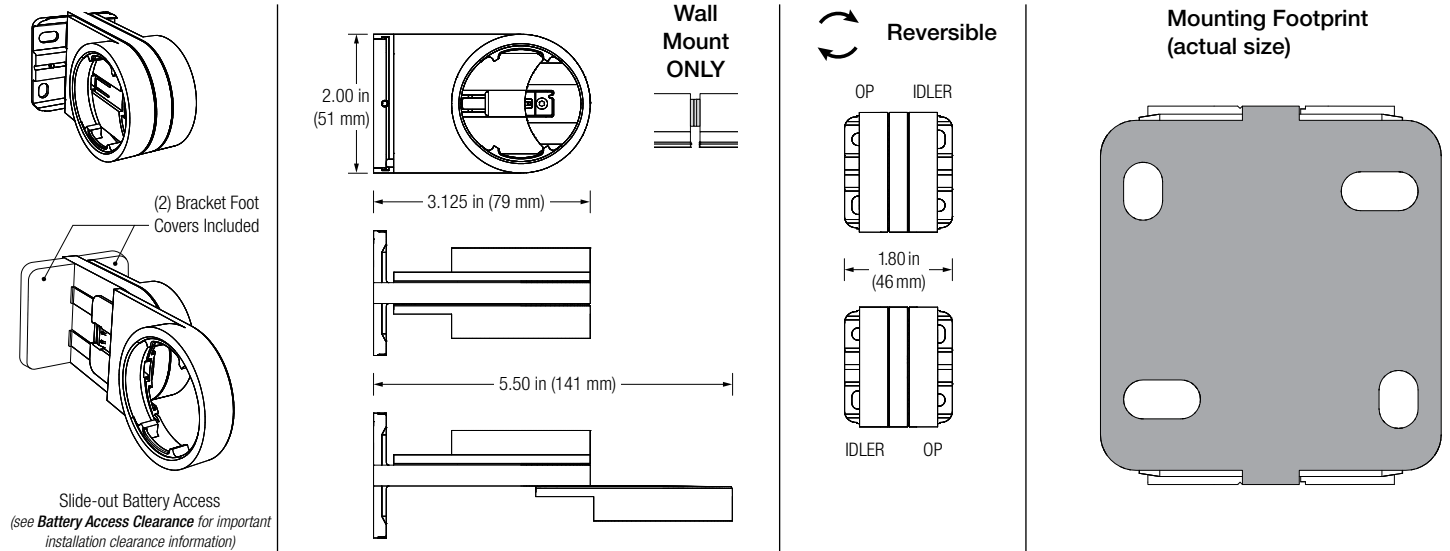
Job Name:	Model Numbers:
Job Number:	

Mounting Options: Wall-Mount Center Brackets

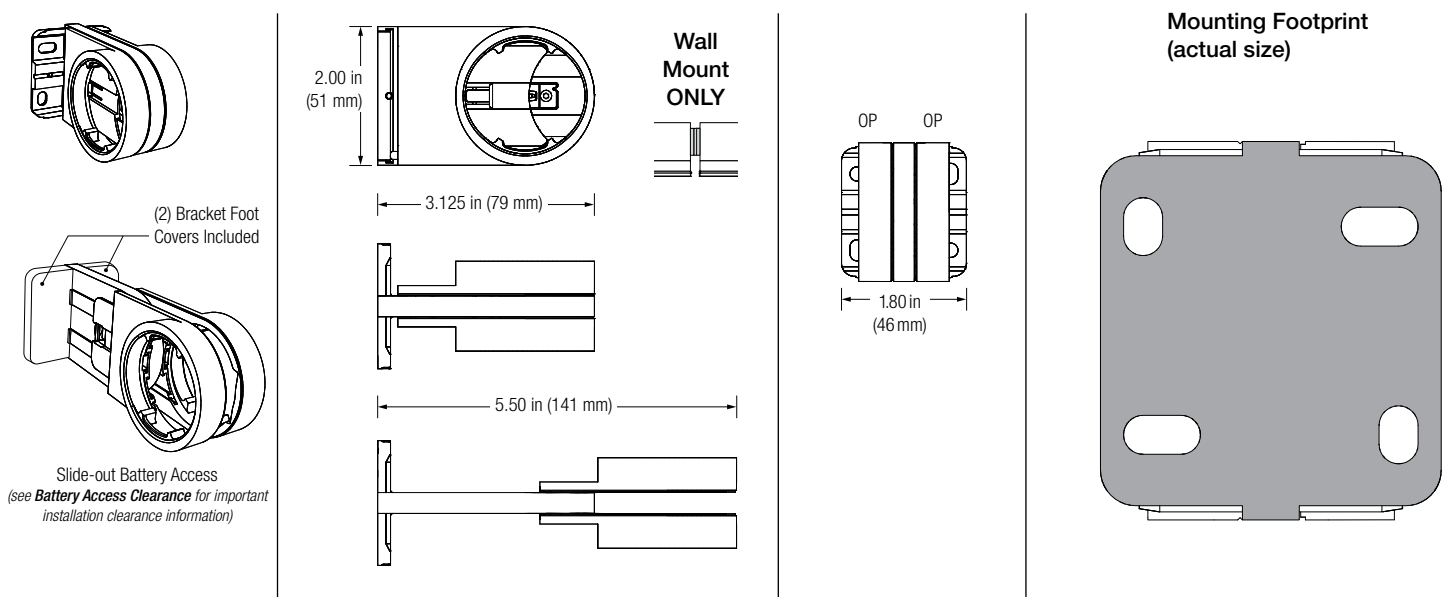
Palladiom wire-free shading system mounting brackets are made from solid aluminum and are available in 7 standard finishes (see the section titled **Bracket Finish Guide** later in this document)

- For installing multiple shades side-by-side
- Brackets may be ordered in different finish than bottom bars
- Shims (1 included with each bracket) are 1/16 in (1.6 mm) thick and can be used to increase projection. Shims are also available separately. *(It is recommended that no more than two (2) shims be used when mounting any one bracket.)*
- Each bracket includes two (2) Bracket Foot Covers

Operator/Idler Center Bracket for Wall Mount, **WIN-BRK-TWDI-FINISH CODE**



Operator/Operator Center Bracket for Wall Mount, **WIN-BRK-TWDD-FINISH CODE**



Job Name:	Model Numbers:
Job Number:	

Mounting Options: Ceiling-Mount Center Brackets

Palladiom wire-free shading system mounting brackets are made from solid aluminum and are available in 7 standard finishes (see the section titled **Bracket Finish Guide** later in this document)

- For installing multiple shades side-by-side
- Brackets may be ordered in different finish than bottom bars
- Shims (1 included with each bracket) are 1/16 in (1.6 mm) thick and can be used to level shade(s). Shims are also available separately. *(It is recommended that no more than two (2) shims be used when mounting any one bracket.)*
- Each bracket includes two (2) Bracket Foot Covers

Operator/Idler Center Bracket for Ceiling or Door Mount, **WIN-BRK-TCDI-FINISH CODE**

Ceiling Mount ONLY

Not Reversible

Mounting Footprint (actual size)

Operator/Operator Center Bracket for Ceiling or Door Mount, **WIN-BRK-TCDD-FINISH CODE**

Ceiling Mount ONLY

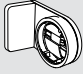











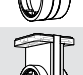
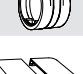

Not Reversible

Mounting Footprint (actual size)

Job Name:	Model Numbers:
Job Number:	

Bracket Finish Guide

Each bracket includes one (1) matching shim*, 1/16 in (1.6 mm) thick. Wall and ceiling mount end brackets include one (1) matching Bracket Foot Cover. Center brackets include two (2) matching Bracket Foot Covers. Additional shims and Bracket Foot Covers are available separately.

Finish Codes:		Pure White PWH	Clear Anodized CLA	Black Anodized BLA	Satin Nickel SN	Brass BRS	Satin Graphite SGT	Opal White OWH
End Brackets	 Wall Mount Operator End Brkt 3.25" roll-up limit	WIN-BRK-EWD-PWH	WIN-BRK-EWD-CLA	WIN-BRK-EWD-BLA	WIN-BRK-EWD-SN	WIN-BRK-EWD-BRS	WIN-BRK-EWD-SGT	WIN-BRK-EWD-OWH
	 Ceiling/Door LEFT Operator End Brkt 3.25" roll-up limit	WIN-BRK-ECDL-PWH	WIN-BRK-ECDL-CLA	WIN-BRK-ECDL-BLA	WIN-BRK-ECDL-SN	WIN-BRK-ECDL-BRS	WIN-BRK-ECDL-SGT	WIN-BRK-ECDL-OWH
	 Ceiling/Door RIGHT Operator End Brkt 3.25" roll-up limit	WIN-BRK-ECDR-PWH	WIN-BRK-ECDR-CLA	WIN-BRK-ECDR-BLA	WIN-BRK-ECDR-SN	WIN-BRK-ECDR-BRS	WIN-BRK-ECDR-SGT	WIN-BRK-ECDR-OWH
	 Wall / Ceiling / Door Mount Idler End Brkt 3.25" roll-up limit	WIN-BRK-EWCI-PWH	WIN-BRK-EWCI-CLA	WIN-BRK-EWCI-BLA	WIN-BRK-EWCI-SN	WIN-BRK-EWCI-BRS	WIN-BRK-EWCI-SGT	WIN-BRK-EWCI-OWH
	 Jamb Mount Operator End Brkt	WIN-BRK-JD-PWH	WIN-BRK-JD-CLA	WIN-BRK-JD-BLA	WIN-BRK-JD-SN	WIN-BRK-JD-BRS	WIN-BRK-JD-SGT	WIN-BRK-JD-OWH
	 Jamb Mount Idler End Brkt	WIN-BRK-JI-PWH	WIN-BRK-JI-CLA	WIN-BRK-JI-BLA	WIN-BRK-JI-SN	WIN-BRK-JI-BRS	WIN-BRK-JI-SGT	WIN-BRK-JI-OWH
	 Foot Cover, (1) for Wall / Ceiling / Door / End Brackets	WIN-BC-EWC-PWH	WIN-BC-EWC-CLA	WIN-BC-EWC-BLA	WIN-BC-EWC-SN	WIN-BC-EWC-BRS	WIN-BC-EWC-SGT	WIN-BC-EWC-OWH
	 Shims, (10-Pack) for Wall / Ceiling / Door / End Brackets	WIN-SHIM-EWC-PWH	WIN-SHIM-EWC-CLA	WIN-SHIM-EWC-BLA	SN not available; suggested match: WIN-SHIM-EWC-CLA	WIN-SHIM-EWC-BRS	SGT not available; suggested match: WIN-SHIM-EWC-BLA	OWH not available; suggested match: WIN-SHIM-EWC-PWH
	 Shims, (10-Pack) for Jamb Mount End Brackets	WIN-SHIM-JDI-PWH	WIN-SHIM-JDI-CLA	WIN-SHIM-JDI-BLA	SN not available; suggested match: WIN-SHIM-JDI-CLA	WIN-SHIM-JDI-BRS	SGT not available; suggested match: WIN-SHIM-JDI-BLA	OWH not available; suggested match: WIN-SHIM-JDI-PWH
Center Brackets	 Wall Mount Ctr. Brkt. Operator / Operator 3.25" roll-up limit	WIN-BRK-TWDD-PWH	WIN-BRK-TWDD-CLA	WIN-BRK-TWDD-BLA	WIN-BRK-TWDD-SN	WIN-BRK-TWDD-BRS	WIN-BRK-TWDD-SGT	WIN-BRK-TWDD-OWH
	 Wall Mount Ctr. Brkt. Operator / Idler 3.25" roll-up limit	WIN-BRK-TWDI-PWH	WIN-BRK-TWDI-CLA	WIN-BRK-TWDI-BLA	WIN-BRK-TWDI-SN	WIN-BRK-TWDI-BRS	WIN-BRK-TWDI-SGT	WIN-BRK-TWDI-OWH
	 Ceiling Center Brkt. Operator / Operator 3.25" roll-up limit	WIN-BRK-TCDD-PWH	WIN-BRK-TCDD-CLA	WIN-BRK-TCDD-BLA	WIN-BRK-TCDD-SN	WIN-BRK-TCDD-BRS	WIN-BRK-TCDD-SGT	WIN-BRK-TCDD-OWH
	 Ceiling Center Brkt. Operator / Idler 3.25" roll-up limit	WIN-BRK-TCDI-PWH	WIN-BRK-TCDI-CLA	WIN-BRK-TCDI-BLA	WIN-BRK-TCDI-SN	WIN-BRK-TCDI-BRS	WIN-BRK-TCDI-SGT	WIN-BRK-TCDI-OWH
	 Foot Covers, (pair) for Wall / Ceiling Center Brackets	WIN-BC-TWC-PWH	WIN-BC-TWC-CLA	WIN-BC-TWC-BLA	WIN-BC-TWC-SN	WIN-BC-TWC-BRS	WIN-BC-TWC-SGT	WIN-BC-TWC-OWH
	 Shims, (10-pack) for Wall / Ceiling Center Brackets	WIN-SHIM-TWC-PWH	WIN-SHIM-TWC-CLA	WIN-SHIM-TWC-BLA	SN not available; suggested match: WIN-SHIM-TWC-CLA	WIN-SHIM-TWC-BRS	SGT not available; suggested match: WIN-SHIM-TWC-BLA	OWH not available; suggested match: WIN-SHIM-TWC-PWH

For information about finishes and design options, please visit: lutron.com/en-US/Products/Pages/ShadingSystems/PalladiomShades/DesignOptions.aspx

* Shims are not available in all finishes; suggested matches shown

Job Name:	Model Numbers:
Job Number:	